
F-2205

———— CONTENTS ————

FIG.1 PAPER CONVEYING UNIT	2
FIG.2 MIDDLE TRAY	6
FIG.3 PAPER EJECT UNIT	8
• INDEX.....	10

FIG. 1 PAPER CONVEYING UNIT

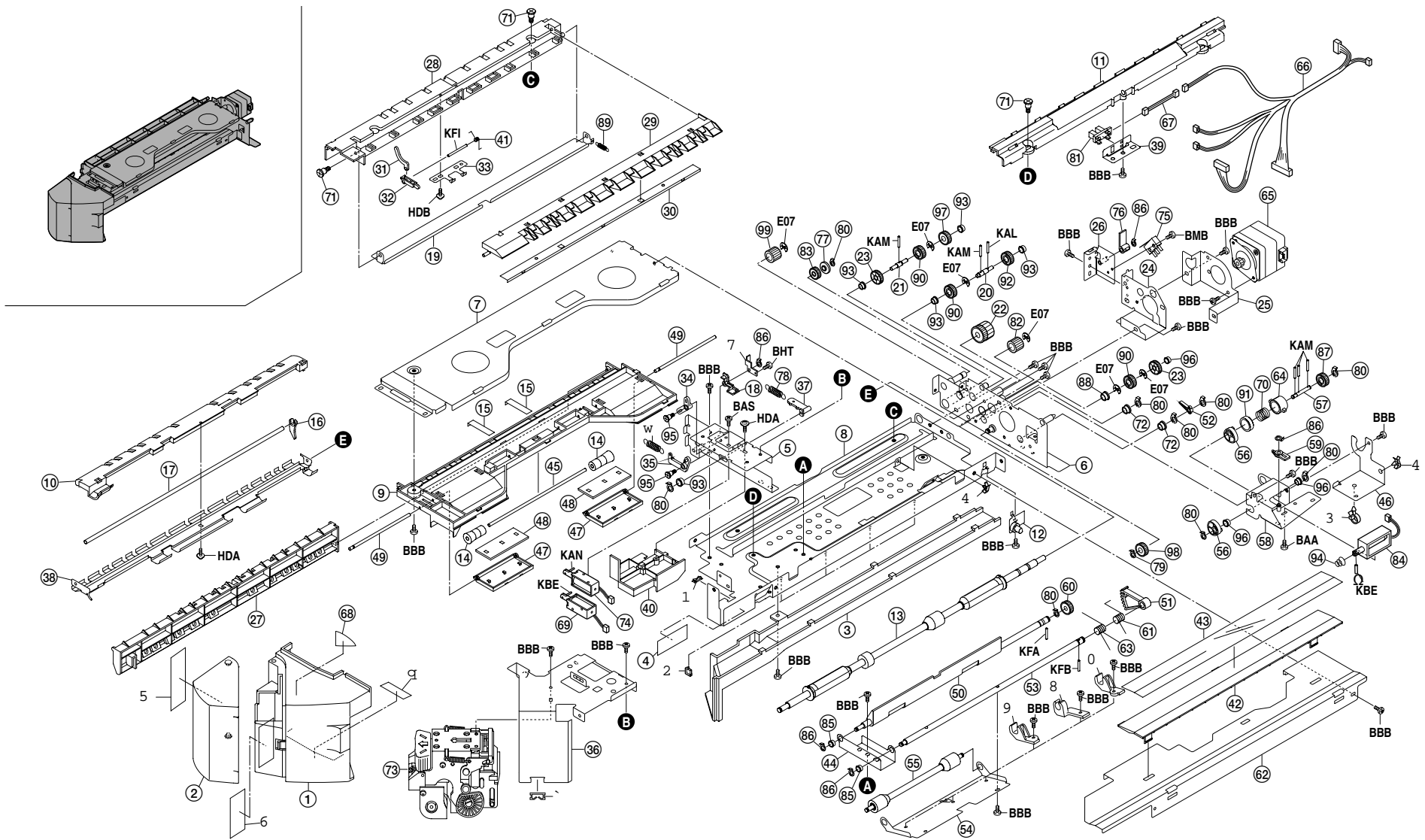


FIG. 1 PAPER CONVEYING UNIT

3BN

SP	Ref. No.	Part. No.	Description	Quantity		
				120V	230V	240V
●	1	3BN04051	COVER,STAPLER	1	1	1
●	2	3BN04060	COVER,CARTRIDGE	1	1	1
●	3	3BN04100	COVER,WIRE	1	1	1
	4	3BN05020	LABEL,HIGH TEMPERATURE CAUTION	1	1	1
	5	3BN08010	FRONT FRAME,FEED SHIFT	1	1	1
	6	3BN08020	REAR FRAME,FEED SHIFT	1	1	1
	7	3BN08030	UPPER STAY,FEED SHIFT	1	1	1
	8	3BN08040	LOWER STAY,FEED SHIFT	1	1	1
	9	3BN08050	UPPER GUIDE,FEED SHIFT	1	1	1
	10	3BN08060	GUIDE,FEED SHIFT MIDDLE	1	1	1
	11	3BN08070	LOWER GUIDE,FEED SHIFT	1	1	1
	12	3BN08080	MOUNT,FULCRUM PIN	1	1	1
	13	3BN08090	ROLLER,FEED SHIFT	1	1	1
	14	3BN08100	PULLEY,BRANCH	2	2	2
	15	3BN08110	PLATE SPRING,FEED SHIFT PULLEY	2	2	2
	16	3BN08120	CLAW,FEED SHIFT	12	12	12
	17	3BN08130	SHAFT,FEED SHIFT	1	1	1
	18	3BN08140	LEVER,FEED SHIFT	1	1	1
	19	3BN08150	GUIDE,FEED SHIFT	1	1	1
	20	3BN08170	SHAFT A,FEED SHIFT DRIVE	1	1	1
	21	3BN08180	SHAFT B,FEED SHIFT DRIVE	1	1	1
	22	3BN08190	GEAR 18/38,FEED SHIFT	1	1	1
	23	3BN08200	GEAR 21,FEED SHIFT	2	2	2
	24	3BN08210	MOUNT,FEED SHIFT DRIVE	1	1	1
	25	3BN08220	MOUNT,MOTOR	1	1	1
	26	3BN08230	MOUNT,SAFETY SWITCH	1	1	1
	27	3BN08240	UPPER GUIDE,CONVEYING	1	1	1
	28	3BN08250	LOWER GUIDE,CONVEYING	1	1	1
	29	3BN08260	CLAW,CONVEYING	1	1	1
	30	3BN08270	REINFORCEMENT,CLAW	1	1	1
	31	3BN08280	ACTUATOR,CONVEYING	1	1	1
	32	3BN08290	ACTUATOR,FEED SHIFT	1	1	1
	33	3BN08310	MOUNT,ACTUATOR	1	1	1
	34	3BN08320	UPPER LEVER,CONVEYING	1	1	1
	35	3BN08330	LOWER LEVER,CONVEYING	1	1	1
	36	3BN08340	MOUNT,STAPLER	1	1	1
	37	3BN08350	JUNCTION PLATE,FEED SHIFT	1	1	1
	38	3BN08360	GUIDE,FEED SHIFT MIDDLE	1	1	1
	39	3BN08370	MOUNT,PI FEED SHIFT	1	1	1
	40	3BN08380	GUIDE,STAPLER	1	1	1

SP	Ref. No.	Part. No.	Description	Quantity		
				120V	230V	240V
	41	3BN08400	SPRING,ACTUATOR	1	1	1
	42	3BN08410	COVER,GUIDE EJECT	1	1	1
	43	3BN08420	SEAL,GUIDE EJECT	1	1	1
	44	3BN08430	SUPPORT PLATE,FEED SHIFT	1	1	1
	45	3BN08440	SHAFT,FEED SHIFT PULLEY	1	1	1
	46	3BN08450	REINFORCEMENT,CLUTCH	1	1	1
	47	3BN08460	GUIDE,PAPER HOLDER	2	2	2
	48	3BN08470	WEIGHT,PAPER HOLDER	2	2	2
	49	3BN08480	SHAFT,GUIDE EJECT	2	2	2
	50	3BN08520	SHAFT,STOPPER	1	1	1
	51	3BN08530	GEAR,STOPPER	1	1	1
	52	3BN08540	LEVER,PRESSURE	1	1	1
	53	3BN08550	SHAFT,ROLLER PRESSURE	1	1	1
	54	3BN08560	LIFT PLATE,ROLLER PRESSURE	1	1	1
●	55	3BN08570	ROLLER,PRESSURE	1	1	1
	56	3BN08580	CAM,CLUTCH	2	2	2
	57	3BN08590	SHAFT,CLUTCH	1	1	1
	58	3BN08600	MOUNT,CLUTCH	1	1	1
	59	3BN08610	LEVER,CLUTCH	1	1	1
	60	3BN08620	GEAR 26,STOPPER	1	1	1
	61	3BN08630	SPRING,STOPPER	1	1	1
	62	3BN08640	GUIDE,EJECT	1	1	1
	63	3BN08650	SPRING,PRESSURE ROLLER	1	1	1
	64	3BN08660	COLLAR,STOPPER CLUTCH	1	1	1
●	65	3BN27011	MOTOR,FEED SHIFT	1	1	1
	66	3BN27511	WIRE,CONVEYING UNIT	1	1	1
	67	3BN27520	JUNCTION WIRING,CONVEYING SENSOR	1	1	1
	68	3BN05030	LABEL,JAM REMOVAL	1	1	1
	69	3BN27050	SOLENOID,FEED SHIFT	1	1	1
	70	48528800	SPRING,PF CRUTCH	1	1	1
	71	29820420	PIN,BEARING	5	5	5
	72	29822140	BUSHING,DRUM SHAFT	2	2	2
●	73	3AW27010	STAPLER	1	1	1
●	74	3AZ21890	SOLENOID,FEED SHIFT	1	1	1
●	75	3A601010	RELEASE SWITCH ASS'Y	1	1	1
	76	3A616060	LEVER,SAFETY SWITCH	1	1	1
	77	3A616090	COLLAR,JOINT DUPLEX	1	1	1
	78	3A821130	SPRING,FEED SHIFT LEVER	1	1	1
	79	34806140	STOPPER 4	1	1	1
	80	34806150	STOPPER 5	9	9	9

- Parts with "●" are component parts or sub-assemblies of the assembly appearing immediately above them.
- Parts with "●" indicates the Service parts.

FIG. 1 PAPER CONVEYING UNIT

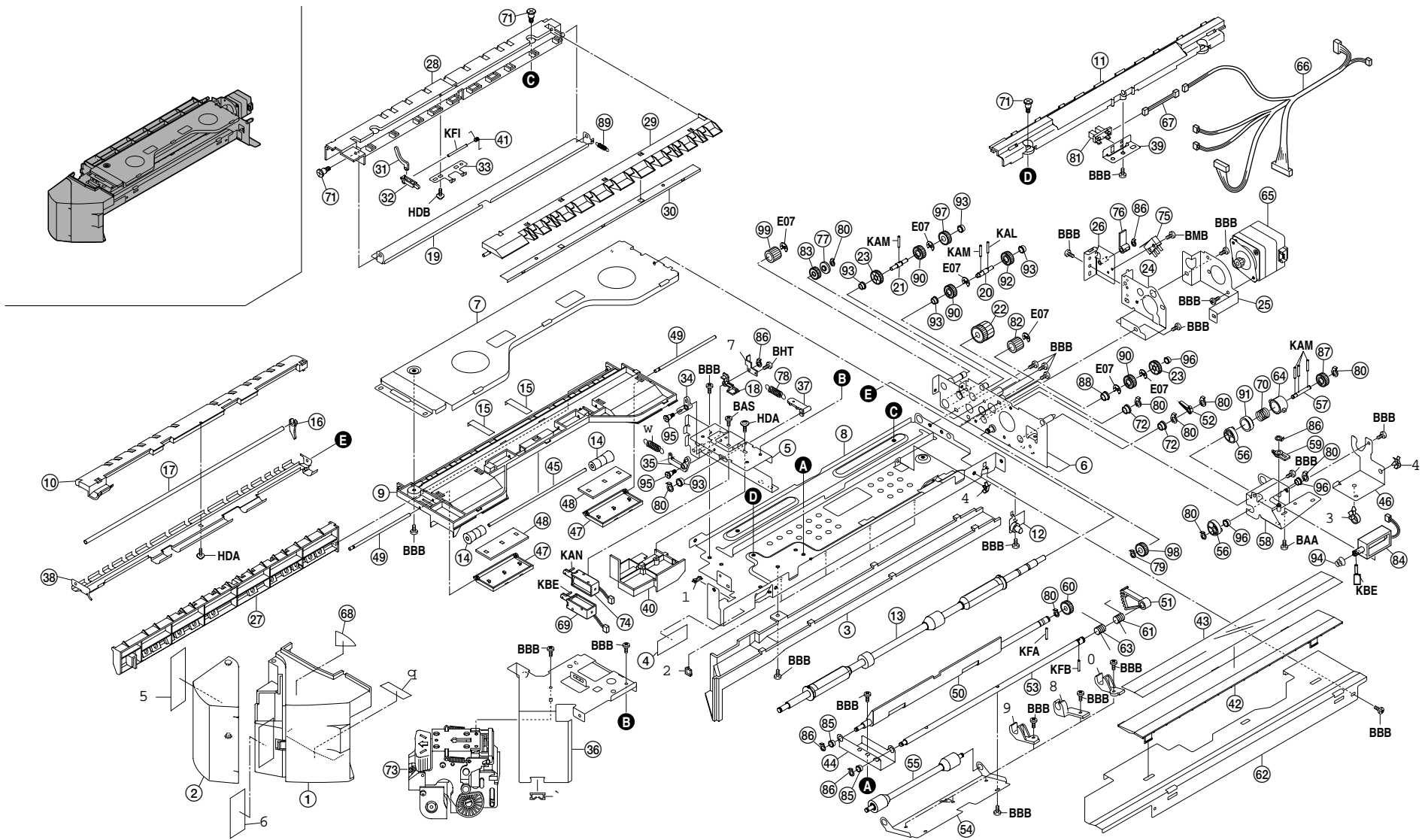


FIG. 1 PAPER CONVEYING UNIT

3BN

SP	Ref. No.	Part. No.	Description	Quantity		
				120V	230V	240V
●	81	35327400	SWITCH,FEED	1	1	1
	82	36716360	GEAR 15,CLEANING DRIVE	1	1	1
	83	36915350	GEAR 25,DEVELOPING	1	1	1
●	84	62227070	SOLENOID B,FEED SHIFT	1	1	1
	85	63213330	BUSHING,EJECT ORIGINAL HOLDER	2	2	2
	86	65016080	STOP RING E3	5	5	5
	87	66006630	GEAR,BYPASS LIFT CLUTCH	1	1	1
	88	67322230	BUSHING 8	1	1	1
	89	71907120	SPRING,DUPLEX STOPPER	1	1	1
	90	72622060	GEAR,CENTRAL LEAD ROLLER	3	3	3
	91	73208180	BOSS,REGISTRATION CL	1	1	1
	92	73210370	GEAR 18,LOOP	1	1	1
	93	73210450	BUSH, 6	5	5	5
	94	73226040	SPRING,REVERSE SOLENOID	1	1	1
	95	73912281	PIN,ORIGINAL HOLDER	2	2	2
	96	76202270	LEFT BUSHING FULCRUM SHAFT	3	3	3
	97	77521010	GEAR 18,ONE WAY SWITCHBACK	1	1	1
	98	78022060	GEAR 32	1	1	1
	99	78307310	IDLE GEAR 18 BYPASS	1	1	1
	100	M2104210	EDGING,EDS-2	1	1	1
	101	M2104350	EDGING,EDS-0607M(KITAGAWA)	1	1	1
	102	M2105730	MINIATURE CLAMP,UAMS-07-0	4	4	4
	103	M2107120	BINDING BAND SG-130	1	1	1
	104	M2109260	WIRE SADDLE,YMC-05-H-0(KITAGAWA)	2	2	2
	105	3BN05040	LABEL,CARTRIDGE DETACHING	1	1	1
	106	3BN05050	LABEL,CARTRIDGE JAM	1	1	1
	107	3BN08490	MOUNT,FEED SHIFT LEVER	1	1	1
	108	3BN08670	INNER BUSHING,PRESSURE ROLLER	1	1	1
	109	3BN08680	FRONT HOLDER,PRESSURE ROLLER	1	1	1
	110	3BN08690	REAR HOLDER,PRESSURE ROLLER	1	1	1
	111	73210440	MAGNET,LOOP SECTION	1	1	1
	112	29822280	SPRING,PF COUPLER	1	1	1

- Parts with "●" are component parts or sub-assemblies of the assembly appearing immediately above them.
- Parts with "●" indicates the Service parts.

FIG. 2 MIDDLE TRAY

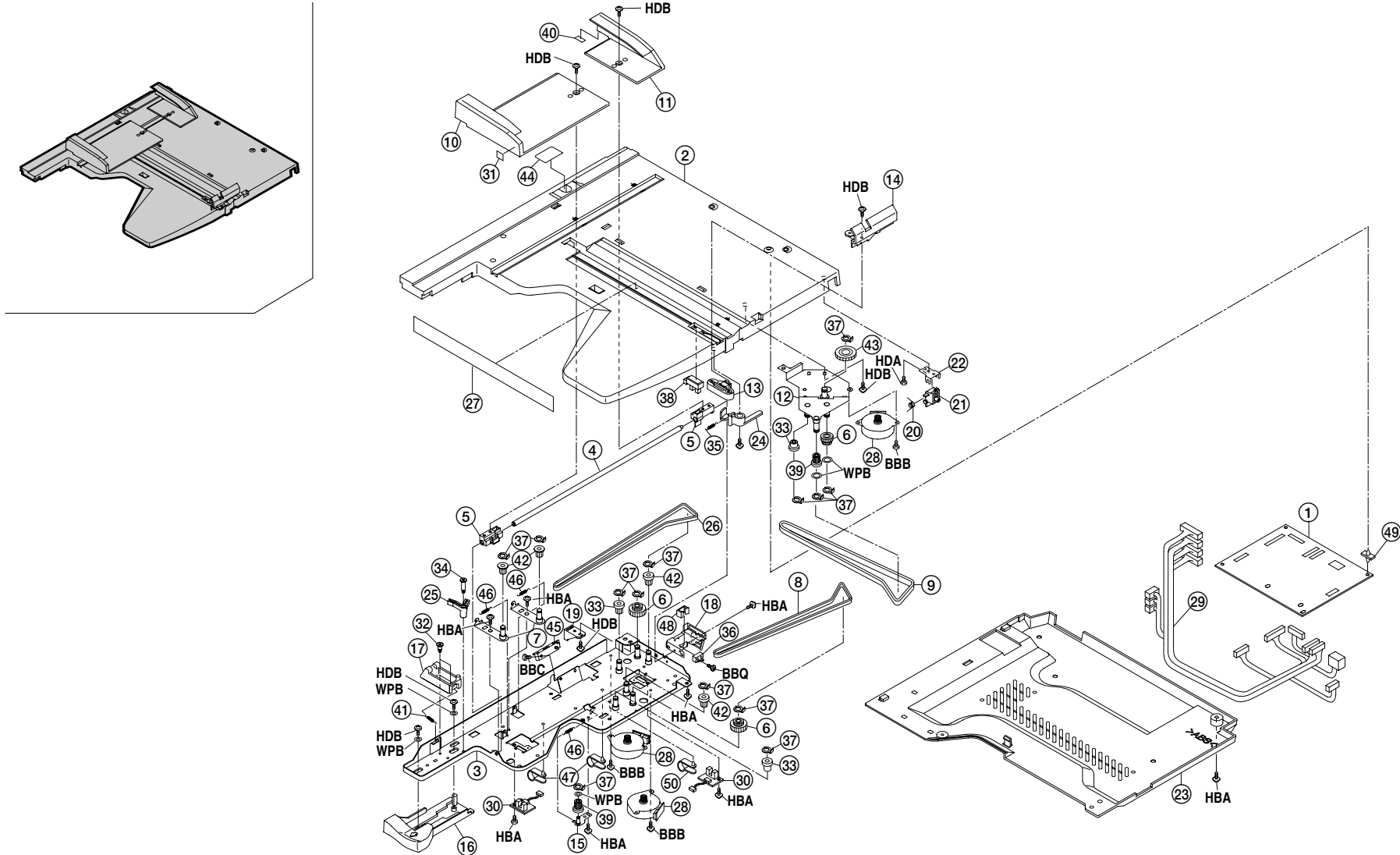


FIG. 2 MIDDLE TRAY

3BN

SP	Ref. No.	Part. No.	Description	Quantity		
				120V	230V	240V
●	1	3BN01010	MAIN PCB ASS'Y	1	1	1
	2	3BN07010	TRAY,MIDDLE	1	1	1
	3	3BN07020	MOUNT,CURSOR DRIVE	1	1	1
	4	3BN07030	SHAFT,SLIDER	1	1	1
	5	3BN07040	SLIDER,CURSOR SIDE REGISTRATION	2	2	2
	6	3BN07050	GEAR Z47/B20,SIDE REGISTRATION	3	3	3
	7	3BN07060	TENSION PLATE,SIDE REGISTRATION	2	2	2
	8	3BN07070	BELT,SIDE REGISTRATION	1	1	1
	9	3BN07080	BELT,LEADING REGISTRATION	1	1	1
●	10	3BN07090	FRONT CURSOR,SIDE REGISTRATION	1	1	1
●	11	3BN07100	REAR CURSOR,SIDE REGISTRATION	1	1	1
	12	3BN07110	MOUNT,DRIVE LEADING REGISTRATION	1	1	1
	13	3BN07120	SLIDER,LEADING REGISTRATION	1	1	1
●	14	3BN07130	CURSOR,LEADING REGISTRATION	1	1	1
	15	3BN07140	TENSION PLATE,LEADING REGISTRATION	1	1	1
	16	3BN07150	LEVER,RELEASE	1	1	1
	17	3BN07160	RIGHT HOOK,JAM RELEASE	1	1	1
	18	3BN07200	MOUNT,CONNECTOR	1	1	1
	19	3BN07210	BASE,FULCRUM PIN	1	1	1
	20	3BN07220	SPRING,FULCRUM PIN	1	1	1
	21	3BN07230	FULCRUM PLATE,JAM RELEASE	1	1	1
	22	3BN07240	MOUNT,FULCRUM	1	1	1
●	23	3BN07250	BOTTOM COVER,MIDDLE TRAY	1	1	1
	24	3BN07260	LIGHT SHIELD,PI LEADING REGISTRATION	1	1	1
●	25	3BN07280	LEVER,HOOK	1	1	1
	26	3BN07290	REAR BELT,SIDE REGISTRATION	1	1	1
	27	3BN07310	FILM,LEADING REGISTRATION	1	1	1
●	28	3BN27020	MOTOR,SIDE REGISTRATION	3	3	3
	29	3BN27501	WIRE,MAIN	1	1	1
●	30	3BN28020	SIDE REGISTRATION PI PCB	2	2	2
●	31	18305060	LABEL,CAUTION PARTITION	1	1	1
	32	2AC08170	PIN,IMAGE FORMATION UNIT	2	2	2
	33	48928800	PULLEY,TIMING BELT	3	3	3
	34	29802230	PIN,CONNECTOR	1	1	1
	35	29812231	SPRING,SCANNER WIRE PULLEY	1	1	1
●	36	3A601010	RELEASE SWITCH ASS'Y	1	1	1
	37	34806150	STOPPER 5	13	13	13
●	38	35327400	SWITCH,FEED	1	1	1
	39	35911520	PULLEY 16,ADF	2	2	2
	40	63773280	RIGHT FELT,SLIDER SHUTTER	1	1	1

SP	Ref. No.	Part. No.	Description	Quantity		
				120V	230V	240V
	41	71907120	SPRING,DUPLEX STOPPER	1	1	1
	42	76514050	PULLEY 20 DRIVE	4	4	4
	43	78122020	GEAR 45 ORIGINAL FEED	1	1	1
	44	78706241	FILTER CF SENSOR	1	1	1
●	45	78727110	JAM DETECTION SWITCH	1	1	1
	46	78768050	PRESSING SPRING B,LIMITTER	3	3	3
	47	M2109260	WIRE SADDLE,YMC-05-H-0(KITAGAWA)	2	2	2
	48	M2104350	EDGING,EDS-0607M(KITAGAWA)	1	1	1
	49	M2108890	SPACER,WLS-03-0(KITAGAWA)	1	1	1
	50	M2109350	WIRE SADDLE,YMC-15-0(KITAGAWA)	1	1	1

- Parts with "●" are component parts or sub-assemblies of the assembly appearing immediately above them.
- Parts with "●" indicates the Service parts.

FIG. 3 PAPER EJECT UNIT

3BN

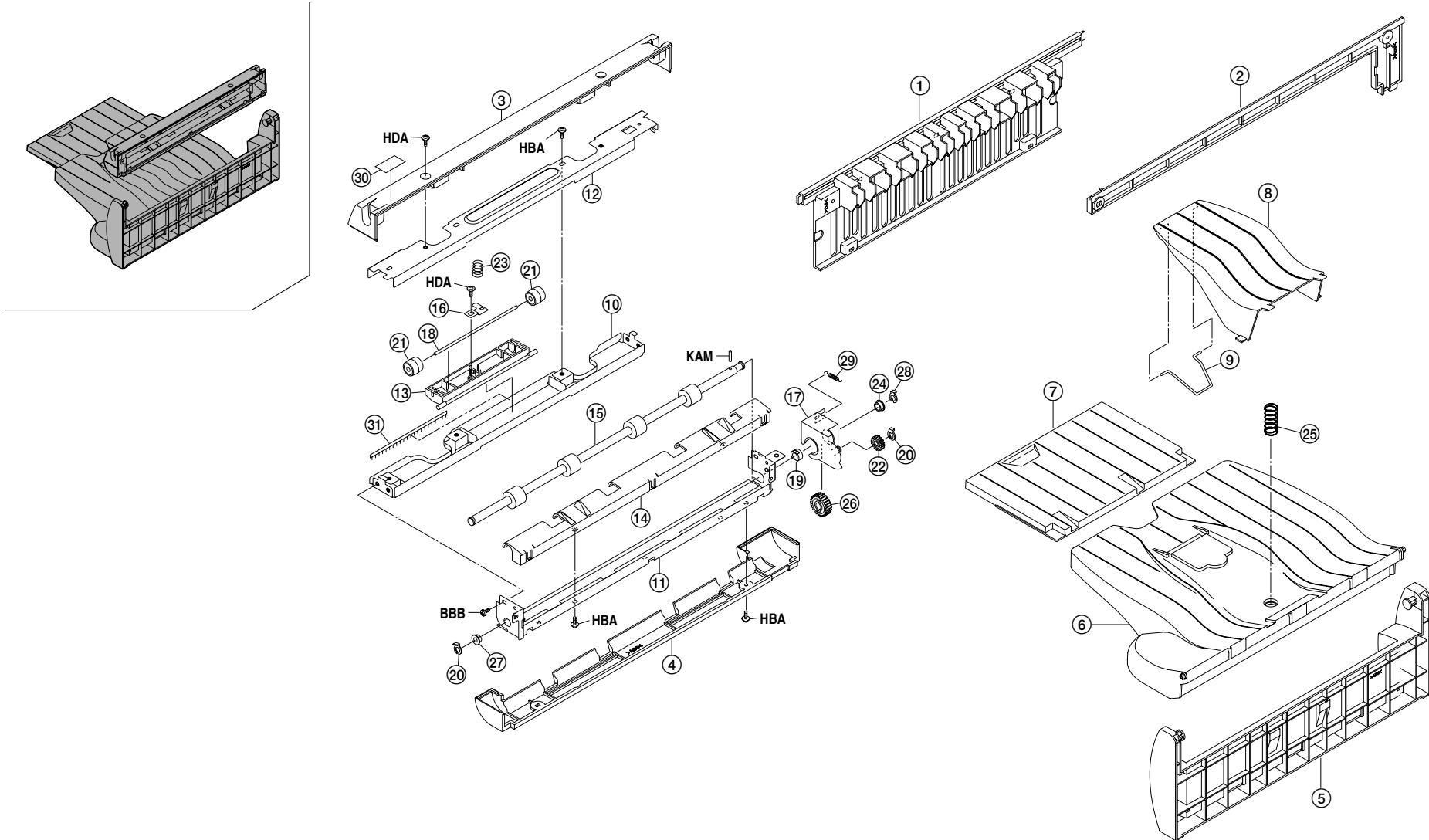


FIG. 3 PAPER EJECT UNIT

3BN

SP	Ref. No.	Part. No.	Description	Quantity		
				120V	230V	240V
●	1	3BN04010	UPPER COVER F,CONVEYING	1	1	1
●	2	3BN04020	UPPER COVER F,EJECT	1	1	1
●	3	3BN04030	UPPER COVER D,EJECT	1	1	1
●	4	3BN04040	LOWER COVER,EJECT	1	1	1
●	5	3BN04070	MOUNT BASE,EJECT TRAY	1	1	1
●	6	3BN04080	TRAY,EJECT	1	1	1
●	7	3BN04090	TRAY B,EJECT	1	1	1
	8	3BN04110	WORK PLATE,EJECT TRAY	1	1	1
	9	3BN04120	SHAFT,EJECT TRAY	1	1	1
	10	3BN06010	UPPER STAY,EJECT	1	1	1
	11	3BN06020	LOWER STAY,EJECT	1	1	1
	12	3BN06030	REINFORCEMENT,EJECT	1	1	1
	13	3BN06040	UPPER GUIDE,EJECT	1	1	1
	14	3BN06050	LOWER GUIDE,EJECT	1	1	1
●	15	3BN06060	ROLLER,EJECT	1	1	1
	16	3BN06070	RETAINER,EJECT PULLEY	1	1	1
	17	3BN06080	TENSION PLATE,EJECT	1	1	1
●	18	3BN06090	SHAFT,EJECT PULLEY	1	1	1
	19	49029400	BUSHING,PF CLUTCH	1	1	1
	20	34806150	STOPPER 5	2	2	2
	21	63210170	PULLEY,LOOP FEED	2	2	2
	22	66006810	GEAR,16 BYPASS PULLEY	1	1	1
	23	3BN06100	SPRING,EJECT PULLEY	1	1	1
	24	67322230	BUSHING 8	1	1	1
	25	68721460	SPRING,LEADING REGISTRATION SOLENOID	1	1	1
	26	72622050	GEAR 25,FEED LOOP	1	1	1
	27	73210450	BUSH, 6	1	1	1
	28	75706040	STOPRING PAPER FEED PULLEY	1	1	1
	29	75915180	SPRING SUB DEV.UNIT LOCK LEVER	1	1	1
	30	3BN05060	LABEL,EJECT TRAY	1	1	1
	31	63207440	STATIC ELIMINATOR,ORIGINAL FEED	1	1	1

- Parts with "●" are component parts or sub-assemblies of the assembly appearing immediately above them.
- Parts with "●" indicates the Service parts.

INDEX

3BN

SP	Part. No.	Description	Quantity			Fig. No.
			120V	230V	240V	
●	18305060	LABEL,CAUTION PARTITION	1	1	1	2
	2AC08170	PIN,IMAGE FORMATION UNIT	2	2	2	2
	29802230	PIN,CONNECTOR	1	1	1	2
	29812231	SPRING,SCANNER WIRE PULLEY	1	1	1	2
	29820420	PIN,BEARING	5	5	5	1
	29822140	BUSHING,DRUM SHAFT	2	2	2	1
	29822280	SPRING,PF COUPLER	1	1	1	1
●	3AW27010	STAPLER	1	1	1	1
●	3AZ21890	SOLENOID,FEED SHIFT	1	1	1	1
●	3A601010	RELEASE SWITCH ASS'Y	2	2	2	1,2
	3A616060	LEVER,SAFETY SWITCH	1	1	1	1
	3A616090	COLLAR,JOINT DUPLEX	1	1	1	1
	3A821130	SPRING,FEED SHIFT LEVER	1	1	1	1
●	3BN01010	MAIN PCB ASS'Y	1	1	1	2
●	3BN04010	UPPER COVER F,CONVEYING	1	1	1	3
●	3BN04020	UPPER COVER F,EJECT	1	1	1	3
●	3BN04030	UPPER COVER D,EJECT	1	1	1	3
●	3BN04040	LOWER COVER,EJECT	1	1	1	3
●	3BN04051	COVER,STAPLER	1	1	1	1
●	3BN04060	COVER,CARTRIDGE	1	1	1	1
●	3BN04070	MOUNT BASE,EJECT TRAY	1	1	1	3
●	3BN04080	TRAY,EJECT	1	1	1	3
●	3BN04090	TRAY B,EJECT	1	1	1	3
●	3BN04100	COVER,WIRE	1	1	1	1
	3BN04110	WORK PLATE,EJECT TRAY	1	1	1	3
	3BN04120	SHAFT,EJECT TRAY	1	1	1	3
	3BN05020	LABEL,HIGH TEMPERATURE CAUTION	1	1	1	1
	3BN05030	LABEL,JAM REMOVENT	1	1	1	1
	3BN05040	LABEL,CARTRIDGE DETACHING	1	1	1	1
	3BN05050	LABEL,CARTRIDGE JAM	1	1	1	1
	3BN05060	LABEL,EJECT TRAY	1	1	1	3
	3BN06010	UPPER STAY,EJECT	1	1	1	3
	3BN06020	LOWER STAY,EJECT	1	1	1	3
	3BN06030	REINFORCEMENT,EJECT	1	1	1	3
	3BN06040	UPPER GUIDE,EJECT	1	1	1	3
	3BN06050	LOWER GUIDE,EJECT	1	1	1	3
●	3BN06060	ROLLER,EJECT	1	1	1	3
	3BN06070	RETAINER,EJECT PULLEY	1	1	1	3
	3BN06080	TENSION PLATE,EJECT	1	1	1	3
●	3BN06090	SHAFT,EJECT PULLEY	1	1	1	3

SP	Part. No.	Description	Quantity			Fig. No.
			120V	230V	240V	
	3BN06100	SPRING,EJECT PULLEY	1	1	1	3
	3BN07010	TRAY,MIDDLE	1	1	1	2
	3BN07020	MOUNT,CURSOR DRIVE	1	1	1	2
	3BN07030	SHAFT,SLIDER	1	1	1	2
	3BN07040	SLIDER,CURSOR SIDE REGISTRATION	2	2	2	2
	3BN07050	GEAR Z47/B20,SIDE REGISTRATION	3	3	3	2
	3BN07060	TENSION PLATE,SIDE REGISTRATION	2	2	2	2
	3BN07070	BELT,SIDE REGISTRATION	1	1	1	2
	3BN07080	BELT,LEADING REGISTRATION	1	1	1	2
●	3BN07090	FRONT CURSOR,SIDE REGISTRATION	1	1	1	2
●	3BN07100	REAR CURSOR,SIDE REGISTRATION	1	1	1	2
	3BN07110	MOUNT,DRIVE LEADING REGISTRATION	1	1	1	2
	3BN07120	SLIDER,LEADING REGISTRATION	1	1	1	2
●	3BN07130	CURSOR,LEADING REGISTRATION	1	1	1	2
	3BN07140	TENSION PLATE,LEADING REGISTRATION	1	1	1	2
	3BN07150	LEVER,RELEASE	1	1	1	2
	3BN07160	RIGHT HOOK,JAM RELEASE	1	1	1	2
	3BN07200	MOUNT,CONNECTOR	1	1	1	2
	3BN07210	BASE,FULCRUM PIN	1	1	1	2
	3BN07220	SPRING,FULCRUM PIN	1	1	1	2
	3BN07230	FULCRUM PLATE,JAM RELEASE	1	1	1	2
	3BN07240	MOUNT,FULCRUM	1	1	1	2
●	3BN07250	BOTTOM COVER,MIDDLE TRAY	1	1	1	2
●	3BN07260	LIGHT SHIELD,PI LEADING REGISTRATI	1	1	1	2
	3BN07280	LEVER,HOOK	1	1	1	2
	3BN07290	REAR BELT,SIDE REGISTRATION	1	1	1	2
	3BN07310	FILM,LEADING REGISTRATION	1	1	1	2
	3BN08010	FRONT FRAME,FEED SHIFT	1	1	1	1
	3BN08020	REAR FRAME,FEED SHIFT	1	1	1	1
	3BN08030	UPPER STAY,FEED SHIFT	1	1	1	1
	3BN08040	LOWER STAY,FEED SHIFT	1	1	1	1
	3BN08050	UPPER GUIDE,FEED SHIFT	1	1	1	1
	3BN08060	GUIDE,FEED SHIFT MIDDLE	1	1	1	1
	3BN08070	LOWER GUIDE,FEED SHIFT	1	1	1	1
	3BN08080	MOUNT,FULCRUM PIN	1	1	1	1
	3BN08090	ROLLER,FEED SHIFT	1	1	1	1
	3BN08100	PULLEY,BRANCH	2	2	2	1
	3BN08110	PLATE SPRING,FEED SHIFT PULLEY	2	2	2	1
	3BN08120	CLAW,FEED SHIFT	12	12	12	1
	3BN08130	SHAFT,FEED SHIFT	1	1	1	1

• Parts with "●" indicates the Service parts.

3BN

SP	Part. No.	Description	Quantity			Fig. No.
			120V	230V	240V	
	3BN08140	LEVER,FEED SHIFT	1	1	1	1
	3BN08150	GUIDE,FEED SHIFT	1	1	1	1
	3BN08170	SHAFT A,FEED SHIFT DRIVE	1	1	1	1
	3BN08180	SHAFT B,FEED SHIFT DRIVE	1	1	1	1
	3BN08190	GEAR 18/38,FEED SHIFT	1	1	1	1
	3BN08200	GEAR 21,FEED SHIFT	2	2	2	1
	3BN08210	MOUNT,FEED SHIFT DRIVE	1	1	1	1
	3BN08220	MOUNT,MOTOR	1	1	1	1
	3BN08230	MOUNT,SAFETY SWITCH	1	1	1	1
	3BN08240	UPPER GUIDE,CONVEYING	1	1	1	1
	3BN08250	LOWER GUIDE,CONVEYING	1	1	1	1
	3BN08260	CLAW,CONVEYING	1	1	1	1
	3BN08270	REINFORCEMENT,CLAW	1	1	1	1
	3BN08280	ACTUATOR,CONVEYING	1	1	1	1
	3BN08290	ACTUATOR,FEED SHIFT	1	1	1	1
	3BN08310	MOUNT,ACTUATOR	1	1	1	1
	3BN08320	UPPER LEVER,CONVEYING	1	1	1	1
	3BN08330	LOWER LEVER,CONVEYING	1	1	1	1
	3BN08340	MOUNT,STAPLER	1	1	1	1
	3BN08350	JUNCTION PLATE,FEED SHIFT	1	1	1	1
	3BN08360	GUIDE,FEED SHIFT MIDDLE	1	1	1	1
	3BN08370	MOUNT,PI FEED SHIFT	1	1	1	1
	3BN08380	GUIDE,STAPLER	1	1	1	1
	3BN08400	SPRING,ACTUATOR	1	1	1	1
	3BN08410	COVER,GUIDE EJECT	1	1	1	1
	3BN08420	SEAL,GUIDE EJECT	1	1	1	1
	3BN08430	SUPPORT PLATE,FEED SHIFT	1	1	1	1
	3BN08440	SHAFT,FEED SHIFT PULLEY	1	1	1	1
	3BN08450	REINFORCEMENT,CLUTCH	1	1	1	1
	3BN08460	GUIDE,PAPER HOLDER	2	2	2	1
	3BN08470	WEIGHT,PAPER HOLDER	2	2	2	1
	3BN08480	SHAFT,GUIDE EJECT	2	2	2	1
	3BN08490	MOUNT,FEED SHIFT LEVER	1	1	1	1
	3BN08520	SHAFT,STOPPER	1	1	1	1
	3BN08530	GEAR,STOPPER	1	1	1	1
	3BN08540	LEVER,PRESSURE	1	1	1	1
	3BN08550	SHAFT,ROLLER PRESSURE	1	1	1	1
	3BN08560	LIFT PLATE,ROLLER PRESSURE	1	1	1	1
●	3BN08570	ROLLER,PRESSURE	1	1	1	1
	3BN08580	CAM,CLUTCH	2	2	2	1

SP	Part. No.	Description	Quantity			Fig. No.
			120V	230V	240V	
	3BN08590	SHAFT,CLUTCH	1	1	1	1
	3BN08600	MOUNT,CLUTCH	1	1	1	1
	3BN08610	LEVER,CLUTCH	1	1	1	1
	3BN08620	GEAR 26,STOPPER	1	1	1	1
	3BN08630	SPRING,STOPPER	1	1	1	1
	3BN08640	GUIDE,EJECT	1	1	1	1
	3BN08650	SPRING,PRESSURE ROLLER	1	1	1	1
	3BN08660	COLLAR,STOPPER CLUTCH	1	1	1	1
	3BN08670	INNER BUSHING,PRESSURE ROLLER	1	1	1	1
	3BN08680	FRONT HOLDER,PRESSURE ROLLER	1	1	1	1
	3BN08690	REAR HOLDER,PRESSURE ROLLER	1	1	1	1
●	3BN27011	MOTOR,FEED SHIFT	1	1	1	1
●	3BN27020	MOTOR,SIDE REGISTRATION	3	3	3	2
	3BN27050	SOLENOID,FEED SHIFT	1	1	1	1
	3BN27501	WIRE,MAIN	1	1	1	2
	3BN27511	WIRE,CONVEYING UNIT	1	1	1	1
	3BN27520	JUNCTION WIRING,CONVEYING SENSOR	1	1	1	1
●	3BN28020	SIDE REGISTRATION PI PCB	2	2	2	2
	34806140	STOPPER 4	1	1	1	1
	34806150	STOPPER 5	24	24	24	1,2,3
●	35327400	SWITCH,FEED	2	2	2	1,2
	35911520	PULLEY 16,ADF	2	2	2	2
	36716360	GEAR 15,CLEANING DRIVE	1	1	1	1
	36915350	GEAR 25,DEVELOPING	1	1	1	1
	48528800	SPRING,PF CRUTCH	1	1	1	1
	48928800	PULLEY,TIMING BELT	3	3	3	2
	49029400	BUSHING,PF CLUTCH	1	1	1	3
●	62227070	SOLENOID B,FEED SHIFT	1	1	1	1
	63207440	STATIC ELIMINATOR,ORIGINAL FEED	1	1	1	3
	63210170	PULLEY,LOOP FEED	2	2	2	3
	63213330	BUSHING,EJECT ORIGINAL HOLDER	2	2	2	1
	63773280	RIGHT FELT,SLIDER SHUTTER	1	1	1	2
	65016080	STOP RING E3	5	5	5	1
	66006630	GEAR,BYPASS LIFT CLUTCH	1	1	1	1
	66006810	GEAR,16 BYPASS PULLEY	1	1	1	3
	67322230	BUSHING 8	2	2	2	1,3
	68721460	SPRING,LEADING REGISTRATION SOLENO	1	1	1	3
	71907120	SPRING,DUPLEX STOPPER	2	2	2	1,2
	72622050	GEAR 25,FEED LOOP	1	1	1	3
	72622060	GEAR,CENTRAL LEAD ROLLER	3	3	3	1

• Parts with "●" indicates the Service parts.

SP	Part. No.	Description	Quantity			Fig. No.
			120V	230V	240V	
	73208180	BOSS,REGISTRATION CL	1	1	1	1
	73210370	GEAR 18,LOOP	1	1	1	1
	73210440	MAGNET,LOOP SECTION	1	1	1	1
	73210450	BUSH, 6	6	6	6	1,3
	73226040	SPRING,REVERSE SOLENOID	1	1	1	1
	73912281	PIN,ORIGINAL HOLDER	2	2	2	1
	75706040	STOPRING PAPER FEED PULLEY	1	1	1	3
	75915180	SPRING SUB DEV.UNIT LOCK LEVER	1	1	1	3
	76202270	LEFT BUSHING FULCRUM SHAFT	3	3	3	1
	76514050	PULLEY 20 DRIVE	4	4	4	2
	77521010	GEAR 18,ONE WAY SWITCHBACK	1	1	1	1
	78022060	GEAR 32	1	1	1	1
	78122020	GEAR 45 ORIGINAL FEED	1	1	1	2
	78307310	IDLE GEAR 18 BYPASS	1	1	1	1
	78706241	FILTER CF SENSOR	1	1	1	2
●	78727110	JAM DETECTION SWITCH	1	1	1	2
	78768050	PRESSING SPRING B,LIMITTER	3	3	3	2
	M2104210	EDGING,EDS-2	1	1	1	1
	M2104350	EDGING,EDS-0607M(KITAGAWA)	2	2	2	1,2
	M2105730	MINIATURE CLAMP,UAMS-07-0	4	4	4	1
	M2107120	BINDING BAND SG-130	1	1	1	1
	M2108890	SPACER,WLS-03-0(KITAGAWA)	1	1	1	2
	M2109260	WIRE SADDLE,YMC-05-H-0(KITAGAWA)	4	4	4	1,2
	M2109350	WIRE SADDLE,YMC-15-0(KITAGAWA)	1	1	1	2

• Parts with "●" indicates the Service parts.